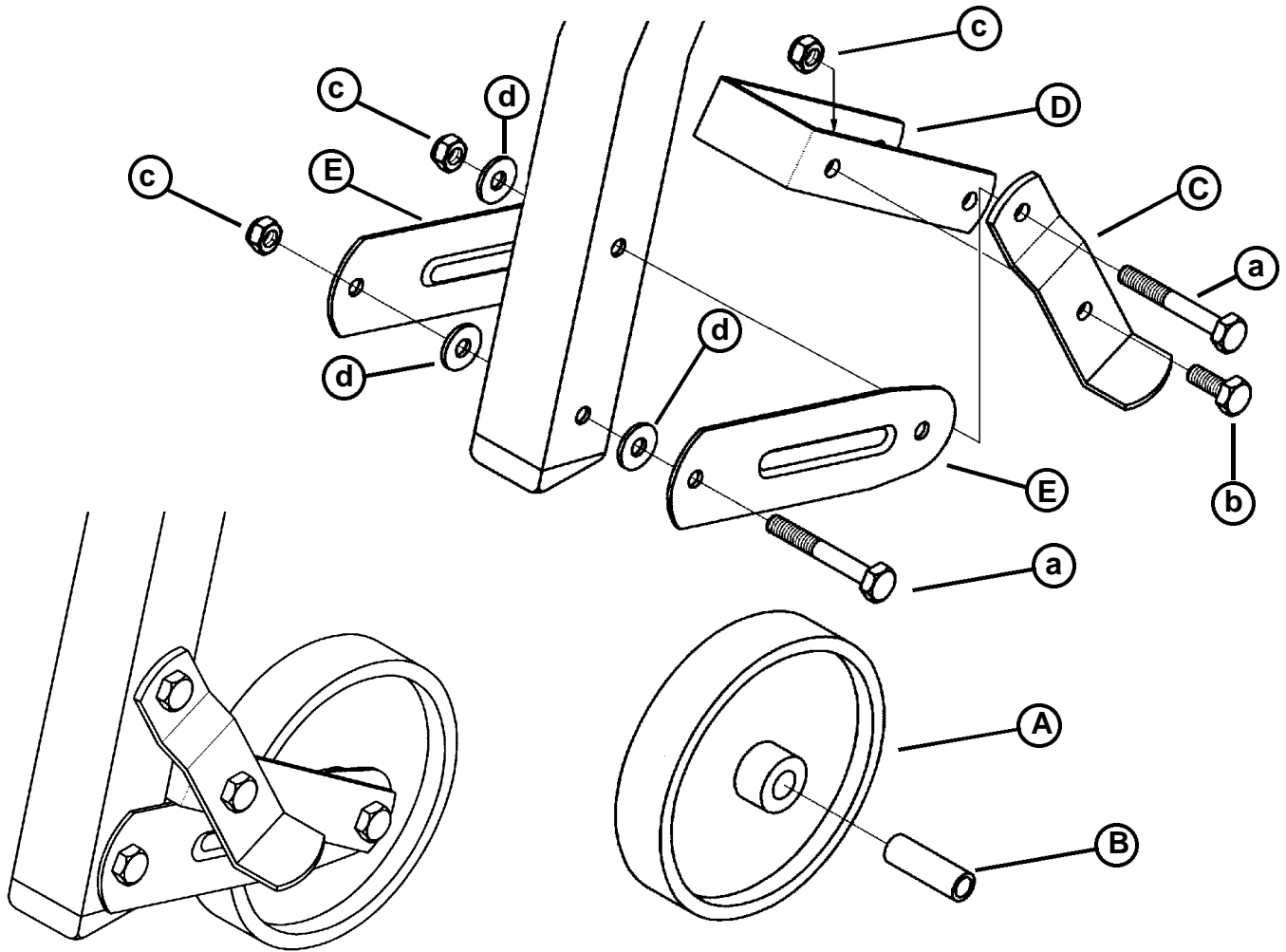


# Retractable Wheel Kit Series 2000 - AWA200

Suits Triton Series 2000 Workcentres (WCA200) & Router/Jigsaw Stands (RSA200)



Diag. Ref.	Part No.	Description	Qty Supplied as Spare Part	Comments
-	PUA283	Packing Carton	1	
-	PUA263	Packing List	1	
-	PUA286	Assembly Instructions	1	
A	AWA012	Wheel (100mm x 20mm)	1	
B	AWA009	Steel Bush	1	
C	AWA016	Locking Lever	1	
D	AWA015	U-Bracket	1	
E	AWA002	Side Plate	1	
-	AWA017	Fastener Bag	1	
a	-	M6 x 45 Hex Bolts	4	} Available in Fastener Bag
b	-	M6 x 16 Hex Bolts	2	
c	-	M6 Nyloc Nuts	8	
d	-	M6 Washers	6	

## Specifications:

**Packed weight:** 0.99kg

**Packed Size:** 225 x 115 x 45mm

**Volume:** 0.0011m<sup>3</sup>

**Wheel:** Nylon six