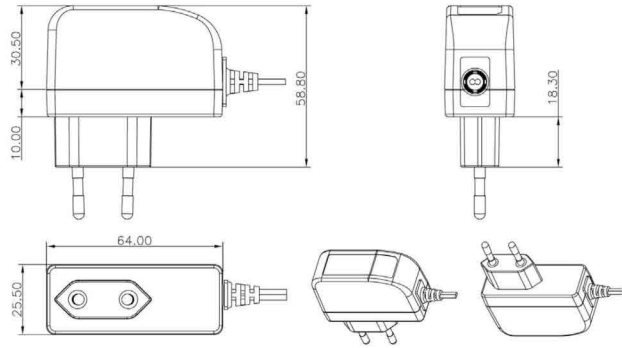
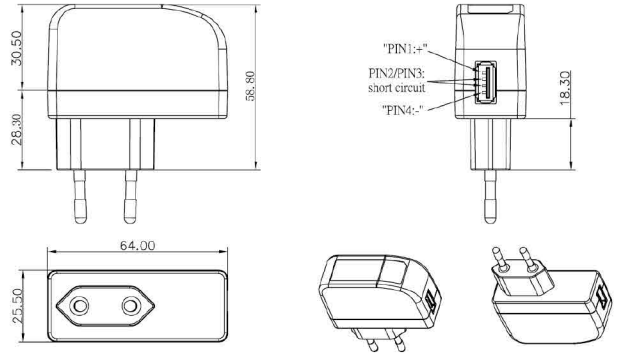


Mechanical case specification:

1) SYS1421-series (EU)



2) SYS1421-series (EU) / USB inlet



Mechanical specification (country housing):

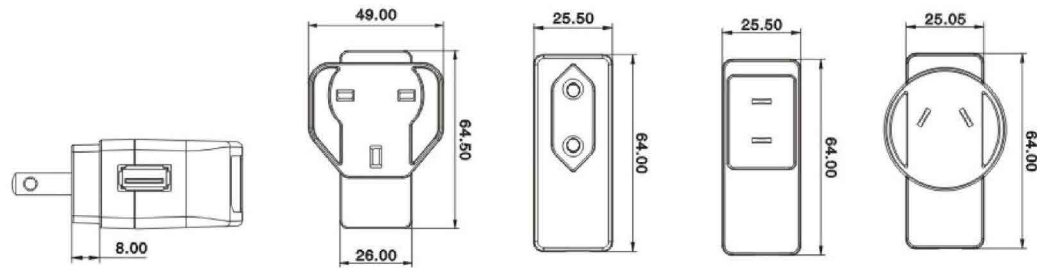
US / Japan type (W2)

UK type (W3U)

Europe type (W2E)

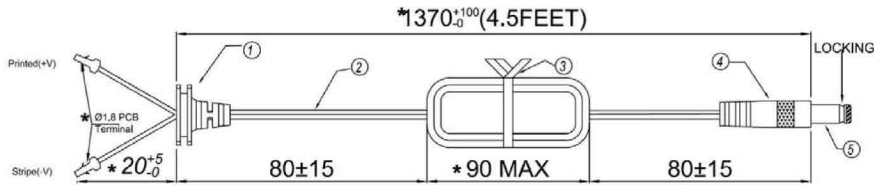
China type ()

Australia type (W2A)

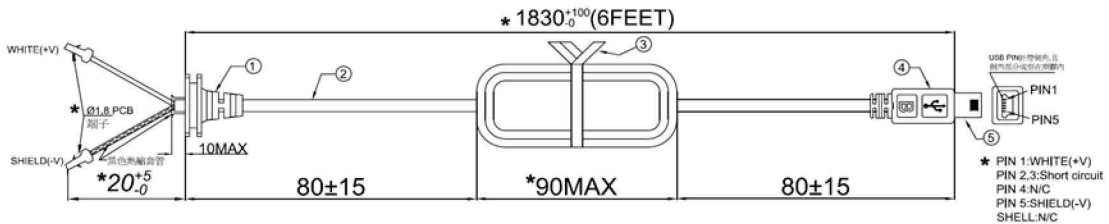


Cable specification:

a) 2.1*5.5*11 (2468#24*2C / 5FT)



b) mini USB (1185#22*1C+SHIELD / 6FT)



c) micro USB (1185#22*1C+SHIELD / 6FT)

